

## CR 2

**Any landscaper or construction contractor who plans on compacting asphalt or pavers for maintenance purposes has found the right tool in our CR2. Delivering a centrifugal force of 6,100 lbs., this reversible soil compactor is the best lightweight, all-rounder machine you can use on your construction site.**

The CR 2 has long distinguished itself in a large variety of sand, gravel, pavement and asphalt compaction applications. Thanks to the unique construction of its base plate, this powerful soil compactor made by Weber MT, offers exceptional stability and outstanding operating characteristics.

The Honda generated power unit is fully protected against external damage by an engine protection frame and cover. To increase mobility on the construction site, we integrated a rugged wheel kit into every machine.



### Advantages

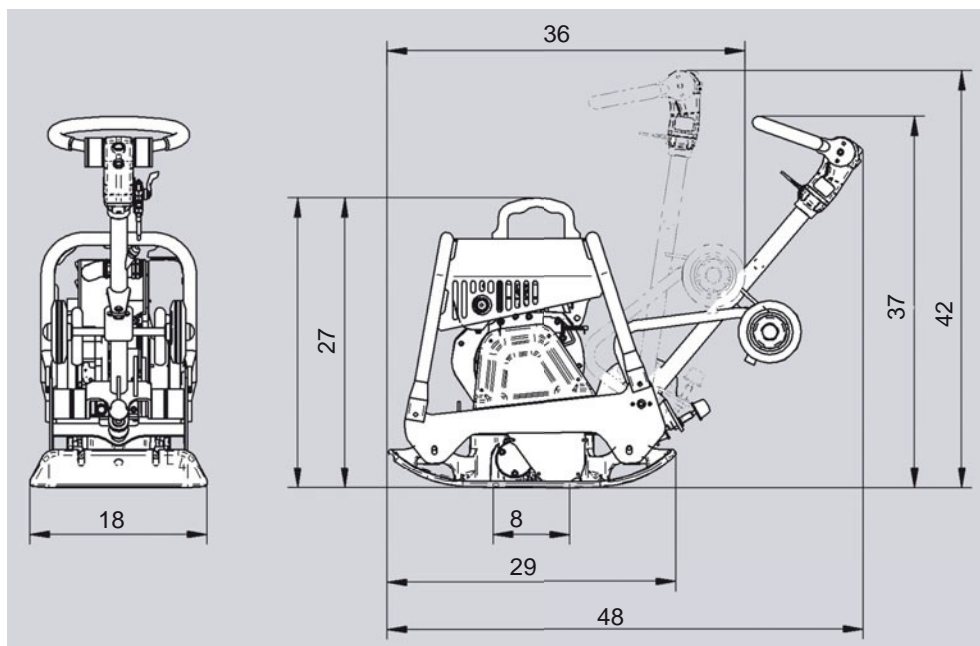
- ▶ Infinitely variable forward and reverse travel.
- ▶ Variable hydraulic shifting allows for superior accuracy even when working in challenging areas.
- ▶ Work without getting tired thanks to a height-adjustable guide bar and low hand-arm vibration handles.
- ▶ Engine protection frame and cover to protect life of machine and engine.
- ▶ Standard feature: integrated and rugged wheel kit.
- ▶ Water sprinkler system and polypad are optional features for the compaction of asphalt and work on pavers.

## Technical data

Type		CR 2 Hd
Operating weight CECE	lbs (kg)	143 (315)
Centrifugal force	lbs (kN)	5,620 (25)
Frequency	r.p.m. (Hz)	6,000 (100)
Operating width	in. (mm.)	18 (450)
Engine manufacturer/typ		Honda GX160
Engine type		Gasoline
Engine power output, max.	HP (KW)	4.9 (3.6)
Power output at operating speed	HP (kW)	4.2 (3.1) at 3,350 r.p.m.
Working speed	ft/min. (m/min.)	0 – 69 (0 – 21)

Available accessories: Polypad for pavers, water sprinkler system for compacting asphalt.

We reserve the right to alter specifications.



Dimensions in inches.



Fig. with water sprinkler system. CR 2