

VPR 700

Professional Compacting of Slabs, Pavers, Natural Stone and Porcelain

There is an increasing popularity of using large-size slabs for hardscape projects. Weber MT has now come up with the perfect solution for compacting these materials in a gentle and efficient manner:

The VPR 700 paver roller.

This machine has been designed specifically for the challenging task of compacting slabs, pavers, natural stone and porcelain. The VPR 700 rolls over these surfaces with exceptional ease and gentleness. This smooth mode of operation embeds the product properly, while preventing shifting, cracking and chipping. At the same time the VPR 700 minimizes dust that usually is created from compacting polymeric jointing sands. Lastly, the rubber coated rollers protect the surface of the slabs, pavers, natural stone and porcelain.

The industry's foremost manufacturers of large-size slabs and polymeric sands recommend proper compaction. Now there is a machine up to this challenge. Weber MT's VPR 700 Paver Roller.



Advantages of the VPR 700

- ◆ Ideal for compacting large-size slabs and paving stones
- ◆ Allows for exceptionally gentle compacting
- ◆ Efficient operation even in cramped spaces—increases labor savings
- ◆ Optimal weight distribution across PU rollers
- ◆ Prevents shifting, cracking, and chipping.
- ◆ Minimizes dust from compacting polymeric jointing sands.
- ◆ Rubber Coated Rollers protect the surface of the installed material.
- ◆ Well placed lifting handles
- ◆ 2 Year Warranty



Paver roller

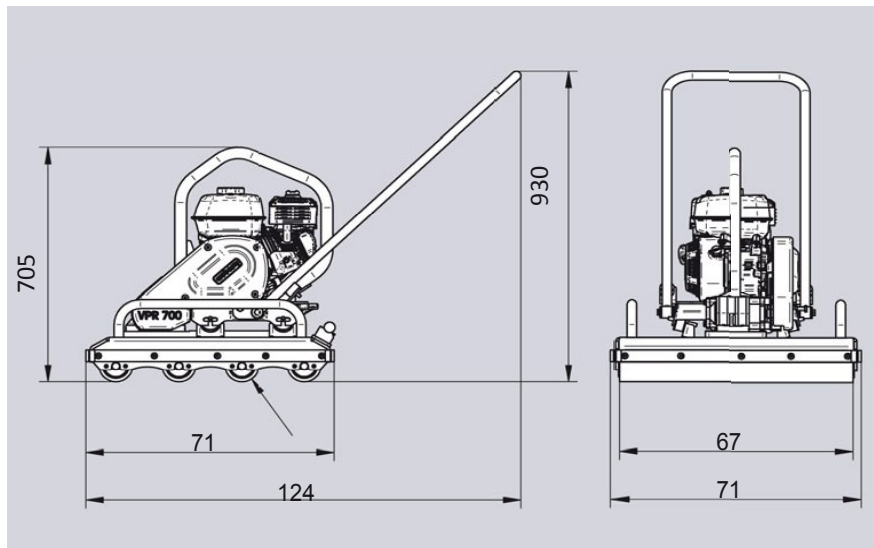


We Know Compaction

Technical Data

Typ		VPR 700
Operating Weight CECE	lbs (kg)	386 (175)
Centrifugal Force	lbs(kN)	3150 (14)
Frequency	r.p.m. (Hz)	6000 (100)
Operating width	in. (mm)	28.4 (670)
Engine manufacturer		Honda GX 160
Engine type		4-Stroke Gasoline
Engine power output, max.	HP (kw)	4.9 (3.6)
Power output at operating speed		3.8 (2.8) at 3,200 r.p.m.
Working speed		Machine is advanced by the operator

We reserve the right to alter specifications.



Dimensions in mm.



VPR700

Weber MT, Inc. · 45 Dowd Road · Bangor, Maine 04444

Phone: 800-709-3237 · Fax: 888-295-1474 ·
sales@webermt.us

