

We build a better future



■ Photo may include optional equipment

HYUNDAI ELECTRIC TOWING / PLATFORM TRUCKS Environmentally - Friendly

40TA/15PA-7

 **HYUNDAI**
HEAVY INDUSTRIES EUROPE

Revolutionizing the productivity in the material industry!

Improve the productivity of your business with our powerful and agile truck!

With the 40TA-7 and 15 PA-7 Hyundai is able to meet the demands of our customers. The economical and environmentally friendly machines allow convenient maintenance and their improved maneuverability and quiet operation make our products ready for common use in trade and distribution companies around the world.



■ Photo may include optional equipment

Quiet and environmentally-friendly 40TA-7/15PA-7

Hyundai's electric towing/platform trucks are AC powered to provide quiet and environmentally-friendly operation.



Comfortable operator space

Adaptation of EPS (Electrical Power Steering) ensures smooth and precise steering. Ergonomical location of controls minimize operator's fatigue and it provides safe operation with wide front and rear view.



Profitable AC-motor Adoption

Application of AC motor improves output power and reliability. It also reduces maintenance cost and fault.



Centralized Panel and Switch

It is easy to maintain the equipment by adopting centralized panel that indicates the equipment's status with self-diagnosis function.



Adjustable Steering Wheel

The steering wheel can be adjusted by a lever on the left-hand side for the most comfortable operating position.



Convenient Battery Change

It ensures additional space between battery and main frame for smooth movement of the battery.



Storage Console

A storage console is installed for the operator's benefit.



Accelerator & Brake Pedal

Based on human engineering the accelerator, brake and inching pedals are optimally positioned for convenience while operating the equipment.



Improved Maintenance Ability

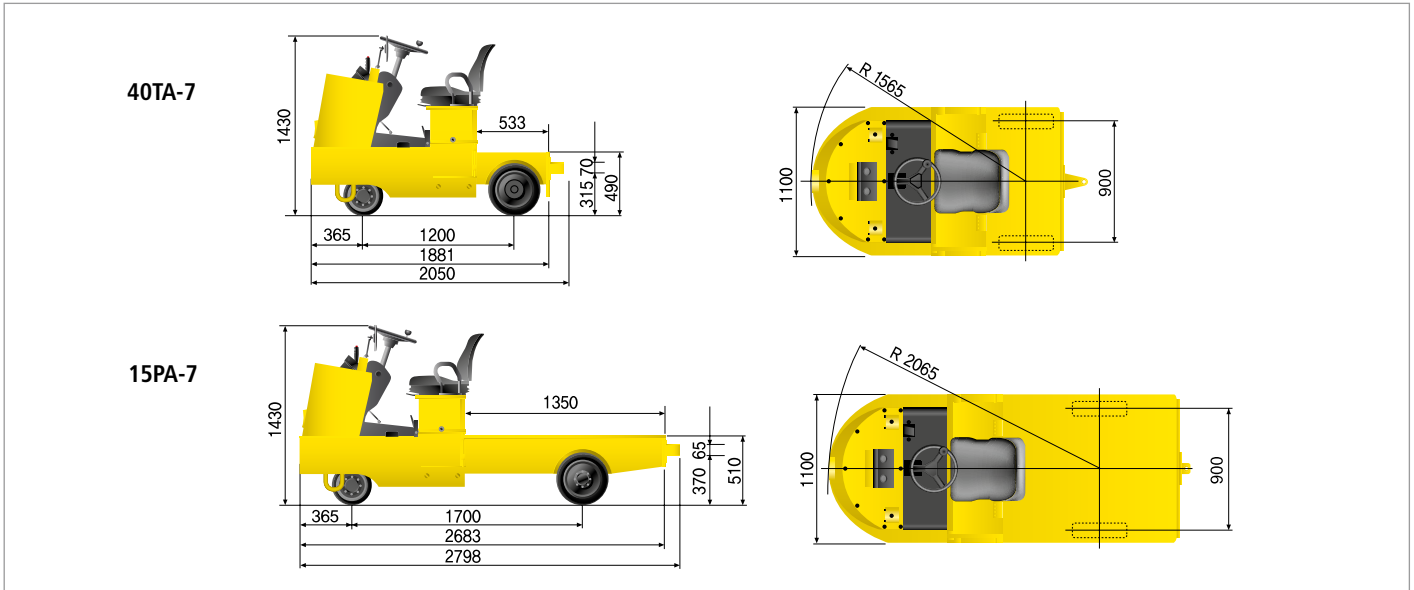
Integrated electrical devices enhanced maintenance ability and durability.



Parking Brake System

Ratchet type parking brake requires less effort from the operator to set.

Dimensions



Specifications

| Description | | Unit | 40TA-7 | 15PA-7 | |
|--------------|--------------------------|-------------|------------|--------------|-------------------|
| Performance | Capacity | | kg (lb) | 4000 (8820) | |
| | Travel Speed | Loaded | km/h (mph) | 8 (5) | |
| | | Unloaded | km/h (mph) | 10 (6) | |
| | Outside Turning Radius | | mm (in) | 1565 (61.6) | |
| Dimension | Overall Length | | mm (in) | 2050 (80.7) | |
| | Overall Width | | mm (in) | 1100 (43.3) | |
| | Overall Height | | mm (in) | 1430 (56.3) | |
| | Wheel Base | | mm (in) | 1200 (47.2) | |
| | Wheel Tread - Rear | | mm (in) | 900 (35.4) | |
| | Weight (Without Battery) | | kg (lb) | 748 (1650) | |
| Power Train | Drive Motor | | kW | 5.0 | |
| | Battery | Voltage | V | 48 | |
| | | Capacity | AH/5HR | 280 | |
| | | Min. Weight | kg (lb) | 400 (880) | |
| | | Max. Weight | kg (lb) | 720 (1590) | |
| Control Type | | | - | AC | AC |
| Tire | Size, Front | | - | 305 x 127(1) | 305 x 127(1) |
| | Size, Rear | | - | 4.00 - 8(2) | 5.00 - 8 - 8PR(2) |

* Beacon lamp, Front Urethane tire, Non-Marking Tire, Cargodeck, Suspension Seat, Head guard are Optional.

Standard and optional equipment may vary. Contact your Hyundai dealer for more information. The machine may vary according to International standards. All imperial measurements rounded off to the nearest pound or inch.

PLEASE CONTACT

